



- TASTE THE DIFFERENCE -

MODEL B12

This medium-capacity batch freezer produces the highest quality ice cream, gelato, sorbet, Italian ice or sherbets. Mechanically simple and exceptionally dependable, this machine is perfect for gelato, custard and water ice shops.

Model B24

This high-capacity batch freezer is simple and efficient, making it perfect for gelato, custard and water ice shops.. Make large volumes of your own signature Gelato, Italian Ice, Sorbets and high or low over-run ice cream.

The Electro Freeze Advantage

- **Cam Door latch** provides quick interior access
- **Exclusive Auger Design** gently blends, reducing agitation and maintain product quality and consistency.
- **Auger and Dispensing Head Design** leads to excellent product extraction and less flavor overlap.
- **Superior Product Quality** is an Electro Freeze trademark unmatched frozen product quality through simple and effective design
- **Built-in Faucet** with flex hose for fast and easy cleaning
- **Digital timer** with audible alarm
- **Adjustable torque control** for automatic operation/shutdown.
- **Experience Tells** Electro Freeze has been manufacturing quality frozen treat machines since 1929. Superior engineering, product innovations, sturdy construction, quality craftsmanship and dependable performance are Electro Freeze hallmarks.
- **Superior Service Support** backed by a world-wide distributor network.

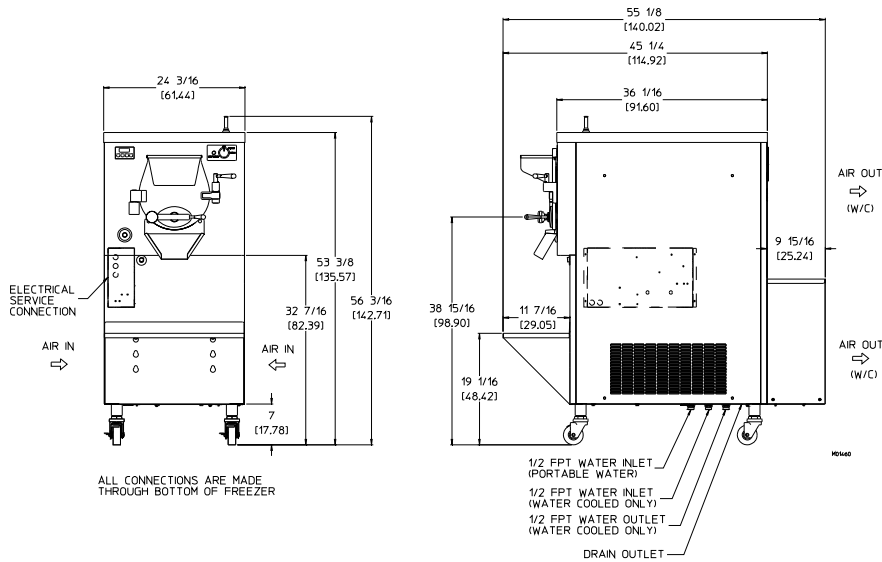
BATCH FREEZERS



electrofreeze.com

FOR MORE INFORMATION CONTACT

800-755-4545 • sales@electrofreeze.com



MODELS B12 & B24 SPECIFICATIONS

Due to continual product improvements all specifications are subject to change without notice.

	B12		B24		
Weights	lbs.	kgs.	lbs.	kgs.	
Net	605	274	700	317	
Crated	695	315	790	317	
	cu.ft.	cu.m.	cu.ft.	cu.m.	
Volume	58.42	1.65	58.42	1.65	
Dimensions	in.	cm.	in.	cm.	
Width	24-3/16	61.44	24-3/16	61.44	
Depth-Air	36-1/16	91.60	36-5/8	93.03	
Depth-Water	36-1/16	61.60	46	116.84	
Height	67-1/8	170.50	67-1/8	170.50	
Electrical	Maximum Fuse Size*		Minimum Circuit Ampacity*		Poles (P) Wires (W)
	B12	B24	B12	B24	
208-230/60/1 Air	40	50	27.5	40	2P, 2W
208-230/60/1 Water	35	50	26	38.5	2P, 2W
208-230/60/3 Air	25	35	19	24.5	3P, 3W
208-230/60/3 Water	25	30	17.5	23	3P, 3W
	Total Amps		Poles (P) Wires (W)		
380-415/3/50 Air	8.8 (B12)	12.7 (B24)			3P, 4W
380-415/3/50 Water	6.8 (B12)	11.3 (B24)			3P, 4W

Electrical characteristics other than above available on request from factory or local distributor. Check nameplate for exact electrical data.

Bidding Spec

Electrical: Volt _____ Hz _____ Ph _____
 Cooling: _____ Neutral _____ Yes _____ No
 Options: _____

Electrical

A dedicated electrical connection is required for both models. Manufactured to be permanently connected. See electrical chart for the proper requirement. Consult your local electrical codes for cord and receptacle specifications.

Beater Motor

B12, 2hp. B24, 3hp

Refrigeration Systems

B12, 2hp. R404a. B24, 3hp. R404a.

Air and Water Cooled

4" (10.2 cm) air space is required at rear panels and 3" (7.6 cm) is required on both side panels for proper air circulation.

Freezing

Cylinder Capacity: B12, 14 quarts (13.25 liters)
 B24, 26 quarts (24.6 liters)

Certified and/or listed by:



*UL listed and listed by Underwriters Laboratories under Canadian National Standard C22.2 No. 120-M91 (R2008)
 **Select Voltages @ 50HZ



Electro Freeze div. of H.C. Duke & Son, LLC

2116-8th Avenue, East Moline, Illinois 61244
 Phone (309) 755-4553 • (800) 755-4545
 FAX (309) 755-9858
 E-mail: sales@electrofreeze.com • www.electrofreeze.com

Authorized Distributor