



- TASTE THE DIFFERENCE -

MODEL CS705

This gravity shake freezer features 5-flavor injections with no CO₂ required! Simply press a button to select flavors! The easy-to-operate features include: Quick connections for vendor syrup bottles, easy syrup adjustments, and fewer parts to disassemble and clean. Great for high paced restaurants, ice cream stores, full-service frozen yogurt shops, family fun and amusement centers.

The Electro Freeze Advantage

- **The Finest Frozen Product**, consistently the best frozen product available. Smooth, creamy and profitable
- **Exclusive Auger Design** gently blends, reducing agitation and maintaining product quality and consistency
- **Consistency Control** designed to dispense the finest frozen product available
- **Air Filter** washable filter keeps the condenser clean
- **Compact** with small footprint
- **Flavor System** press a button to dispense 5 flavor choices vanilla (unflavored shake mix) and 4 flavors. A rinse button eliminates flavor carry over. One gallon syrup jugs eliminates waste and saves crew time.
- **Cabinet** is a commercial grade stainless steel that includes heavy duty casters, a sturdy latch and gives you 6 cubic feet of storage.
- **Experience Tells** Electro Freeze has been manufacturing quality frozen treat machines since 1929. Superior engineering, product innovations, sturdy construction, quality craftsmanship and dependable performance are Electro Freeze hallmarks.
- **Superior Service Support** backed by a world-wide distributor network

GRAVITY SHAKE FREEZER

Compact Series
5 Flavors

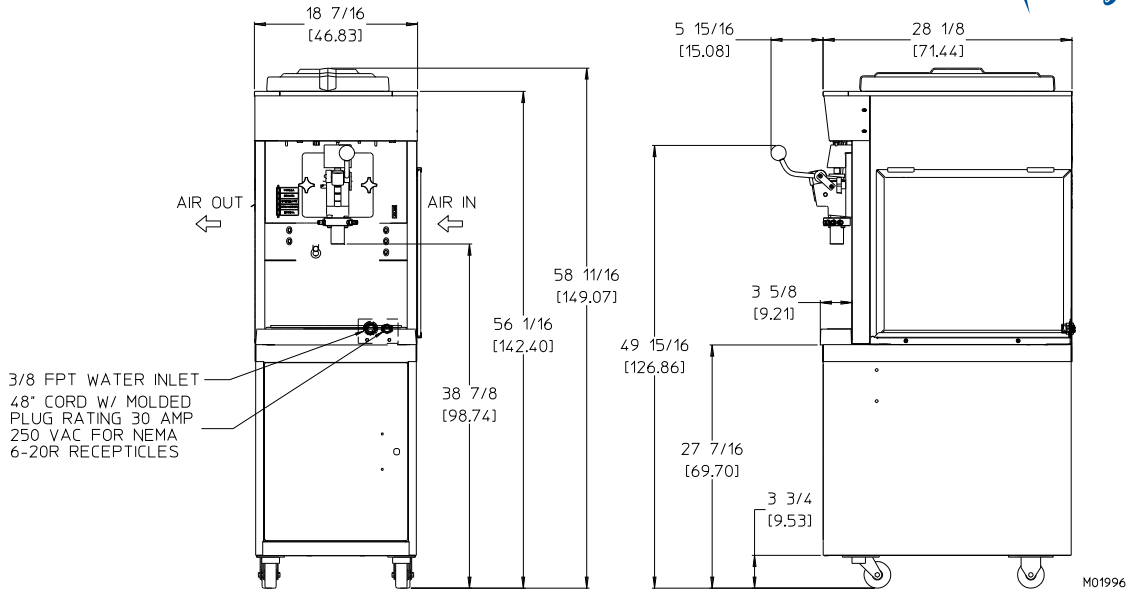


electrofreeze.com

FOR MORE INFORMATION CONTACT

800-755-4545 • sales@electrofreeze.com

CS705 Shake Freezer



MODEL CS705 SPECIFICATIONS

Due to continual product improvements all specifications are subject to change without notice.

Weights	lbs.	kgs.
Net	348	158
Crated	420	191
	cu.ft.	cu.m.
Volume	57.62	1.63
Dimensions	in.	cm
Width	18-7/16	46.83
Depth	28-1/8	71.44
Height	58-11/16	149.07
Electrical	Total Amps	NEMA Plug Type
208-230/60/1 Air	13	6-20P

Electrical characteristics other than above available on request from factory or local distributor. Check nameplate for exact electrical data.

Bidding Spec

Electrical: Volt _____ Hz _____ Ph _____
 Cooling: _____ Neutral _____ Yes _____ No
 Options: _____

Electrical

One dedicated electrical connection is required. Connects to a standard NEMA 6-20R receptacle. See electrical chart for the proper requirement. Consult your local electrical codes for receptacle specifications.

Beater Motor

One, 1/2 hp.

Refrigeration Systems

One, 8,000 Btuh. R404a. Btuh may vary depending on compressor used.

Air Cooled

3" (7.6 cm) air space required on both sides and the rear panel for proper air circulation.

Potable Water Connection (For syrup line): 3/8" FPT

Mix Hopper Capacity: one - 20 quart (18.8 liters)

Freezing Cylinder Capacity: one - 7.6 quart (7.2 liters)

Certified and/or listed by:



*UL listed and listed by Underwriters Laboratories under Canadian National Standard C22.2 No. 120-M91(R2008)



Electro Freeze div. of H.C. Duke & Son, LLC

2116-8th Avenue, East Moline, Illinois 61244 USA
 Phone (309) 755-4553 • (800) 755-4545
 FAX (309) 755-9858
 E-mail: sales@electrofreeze.com • www. electrofreeze.com

Authorized Distributor